

LANDAU PARAPAN



CURVED DOOR SPECIFICATIONS

REF 30412

CONTENTS

Convex moulds



Radius mm	Page	Mould
R171	17	37
R191	15	27
R227	7	1
R262	8	4
R272	7	2
R300	7	3
R300	15	28
R331	9	7
R356	8	6a
R358	9	6b
R362	13	20
R382	8	5
R400	12	15
R410	17	38
R450	12	16
R460	15	29
R474	14	24
R480	10	11

Convex moulds



Radius mm	Page	Mould
R560	9	8
R560	10	10
R600	13	19
R845	11	14
R856	11	12
R856	11	13
R900	10	9
R1000	16	34
R1300	14	22
R1940	18	39
R2500	13	21
R3158	17	35
R5795	12	17
R5795	17	36
R6385	14	23
Swept curve	15	25
"S" shaped mould	15	26

Concave moulds



Radius mm	Page	Mould
R211	15	27b
R247	7	1b
R282	8	4b
R292	7	2b
R300	16	32
R320	7	3b
R340	16	33
R351	9	7b
R376	8	6ab
R378	9	6bb
R382	13	20b
R402	8	5b
R420	12	15b
R470	12	16b
R494	14	24b
R500	10	11b

Concave moulds



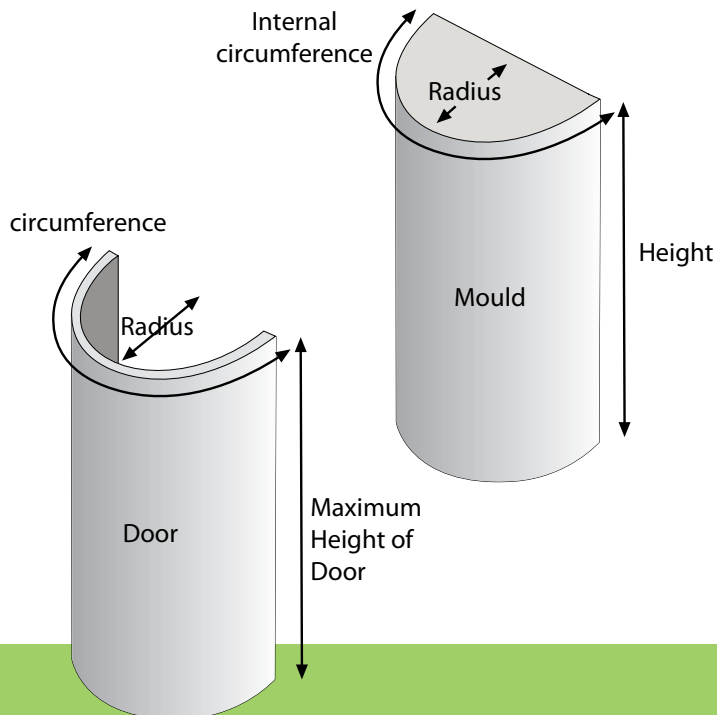
Radius mm	Page	Mould
R580	9	8b
R580	10	10b
R600	16	31
R620	13	19b
R640	16	30
R865	11	14b
R876	11	12b
R876	11	13b
R920	10	9b
R1020	16	34b
R1320	14	22b
R2520	13	21b
R3178	17	35b
R5815	12	17b
R5815	17	36b
R6405	14	23b

Total of 66 assorted curves available, bespoke radii to order*

*Subject to a special jig charge.

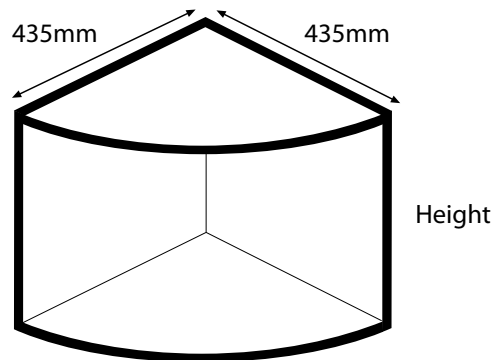
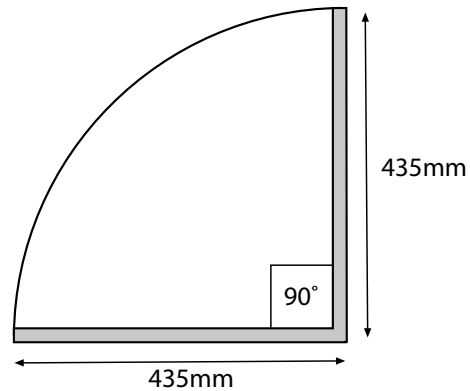
CURVED DOORS EXPLAINED

- Enclosed are drawings of the moulds we have available to make curved Parapan® and Landau doors.
- Also shown is an explanation of how to arrive at the dimensions of the doors and the cabinets for them.
- Each drawing shows the internal radius of the door the mould will produce together with the internal circumference.
- Also shown is the maximum height of the door you can produce with the mould.
- Below is an illustration showing how a mould produces the size of the door shown in each drawing.

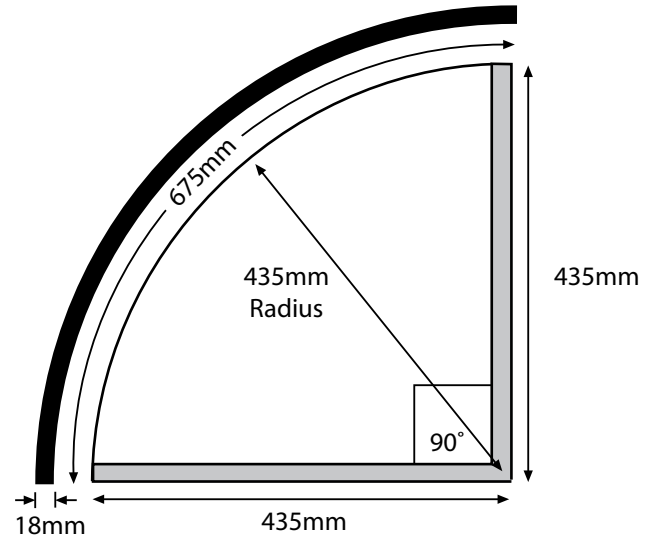


- The measurements shown are those which produce the largest door available from each mould.
- Please ask our sales office for details of the finger pull edges which are suitable for curved doors.
- Due to the nature of acrylic, the size of the doors may vary slightly by +/- 1mm.

To manufacture a curved door we need to know the size of the cabinet on which the door is going to be hung.



A cabinet like this one has a cabinet circumference of 675mm. A 672mm Door would be required to fit it.



To quote for the door in question, we need to know the cabinet circumference. The formula to get this is: $\frac{2 \times \pi \times R}{4}$ or $\frac{2 \times 3.1416 \times 435}{4} = 683 - 3\text{mm} = 680\text{mm}$ Door

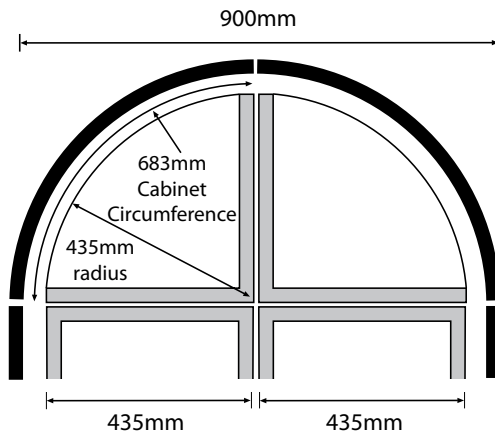
We have several moulds which produce doors for this type of cabinet.

π (Pi) = 3.1416

CURVED DOORS EXPLAINED

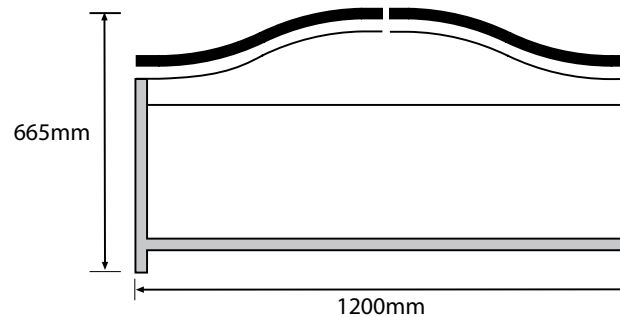
The following are a selection of popular cabinets used in the production of kitchens:

Peninsular/Island units



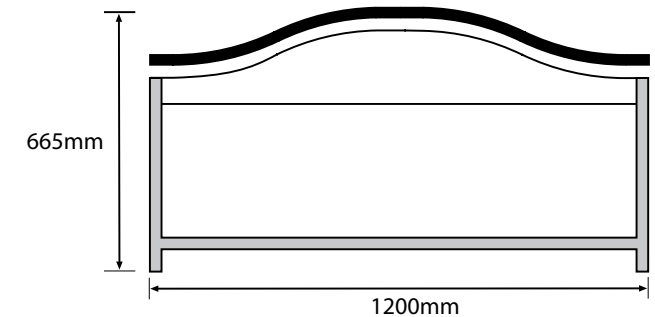
The requirements for this cabinet are:
2 doors of 680mm width

'S' Shaped Door Cabinets



The requirements for this cabinet are:
2 doors of 597mm width

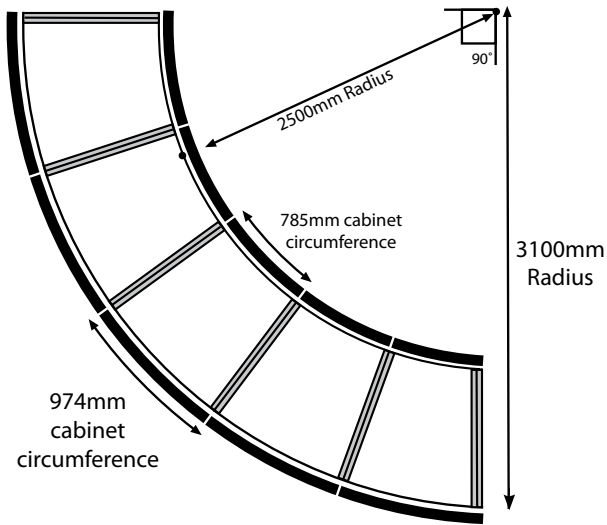
Curved Shaped Drawer Cabinets



The requirements for this cabinet are:
2 drawers 283mm high
1 drawer 140mm high
1197 width

CURVED DOORS EXPLAINED

Curved Breakfast Bar



To manufacture the panels, we need the circumference of the cabinet edge of each of the panels.
The calculation is as follows:

$2 \times \pi \times \text{Radius}$

4 then 5

1. $2 \times 3.1416 \times 2500 = 785\text{mm}$

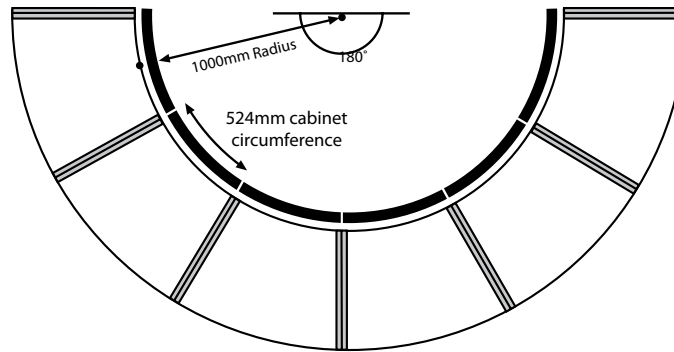
4 then 5

2. $2 \times 3.1416 \times 3100 = 974\text{mm}$

4 then 5

deduct (-3mm) for door sizes

Semi Circular Breakfast Bar



To manufacture the panels, we need the circumference of the cabinet edge of each of the panels.
The calculation is as follows:

$2 \times \pi \times \text{Radius}$

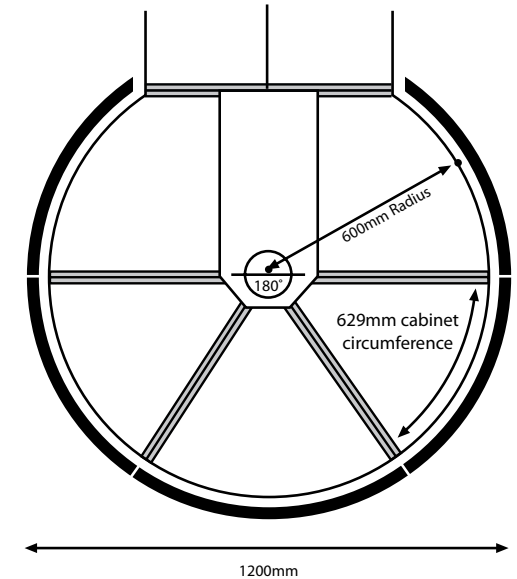
2 then 6

$2 \times 3.1416 \times 1000 = 524\text{mm}$

2 then 6

deduct (-3mm) for door sizes

Circular Breakfast Bar



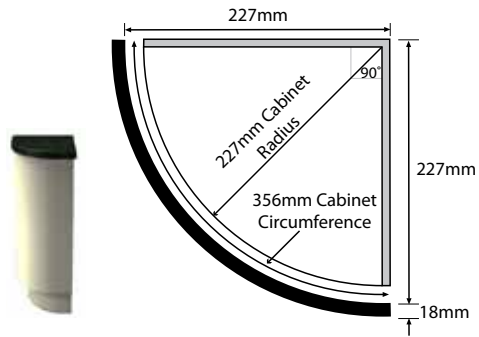
To manufacture these panels the radius is 600mm
(Diameter 1200mm \div 2 = 600mm)

The circumference of the cabinet edge is:

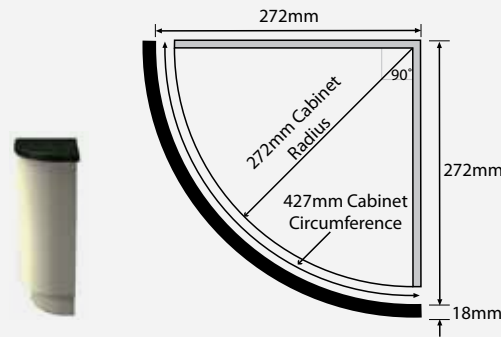
$\frac{2 \times \pi \times R}{6} = \frac{2 \times 3.1416 \times 600}{6} = 629\text{mm}$

deduct (-3mm) for door sizes

1 Convex Curved Mould
 Maximum Height = 950mm
227R Door width = 353mm

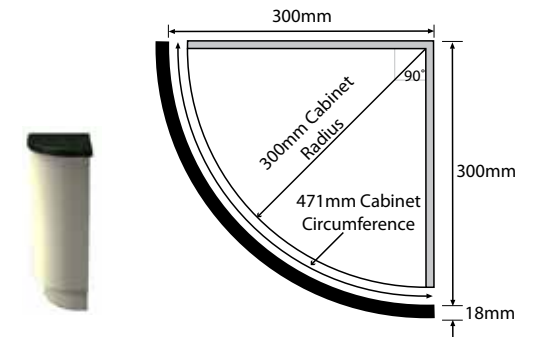


2 Convex Curved Mould
 Maximum Height = 1050mm
272R Door width = 424mm

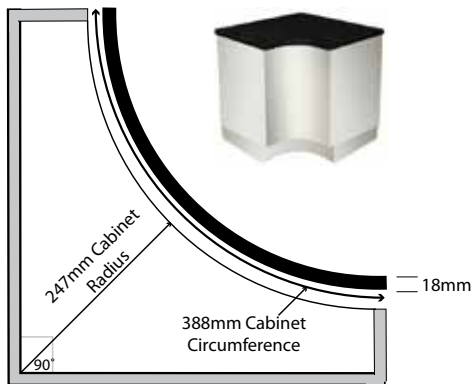


3 Convex Curved Mould
 Maximum Height = 1000mm
300R Door width = 468mm

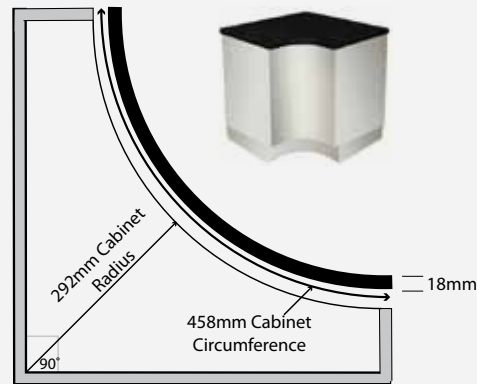
METRO



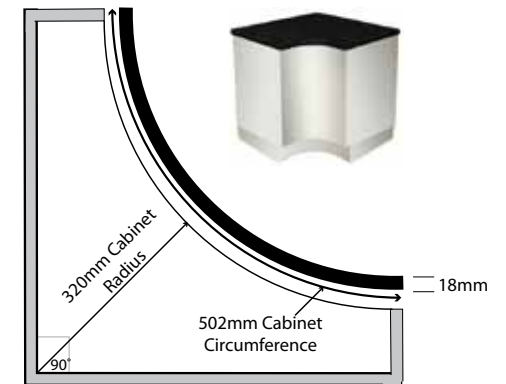
1b Concave Curved Mould
 Maximum Height = 950mm
247R Door width = 385mm



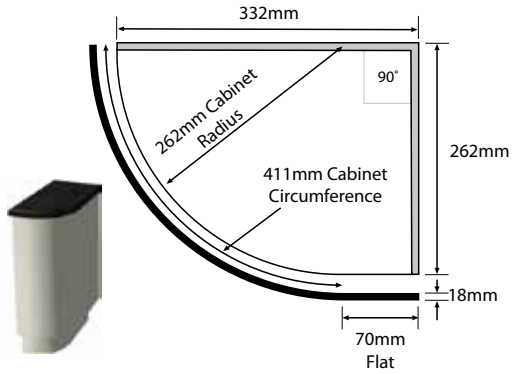
2b Concave Curved Mould
 Maximum Height = 1050mm
292R Door width = 455mm



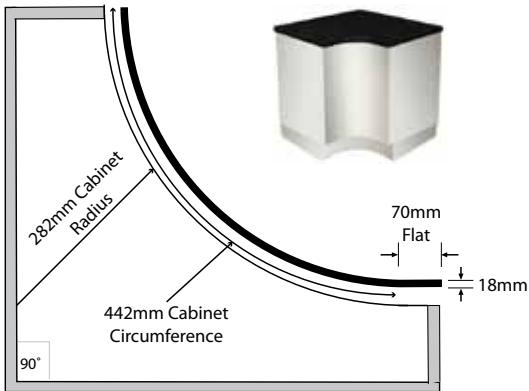
3b Concave Curved Mould
 Maximum Height = 1000mm
320R Door width = 499mm



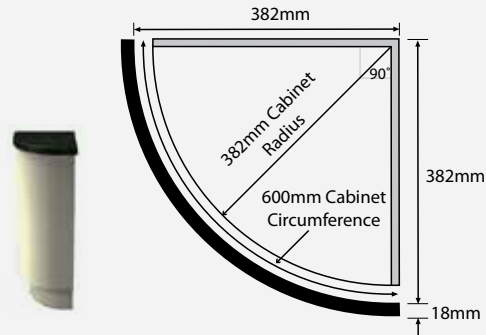
4 Convex Curved Mould
262R Maximum Height = 900mm
 Door width = 478mm



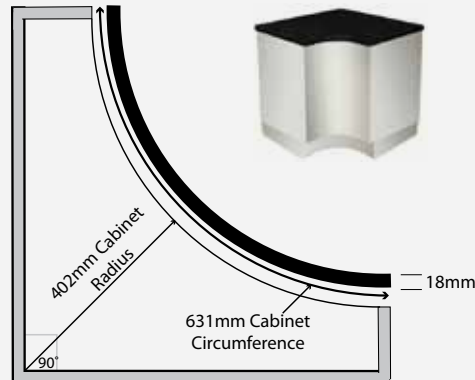
4b Concave Curved Mould
282R Maximum Height = 900mm
 Door width = 509mm



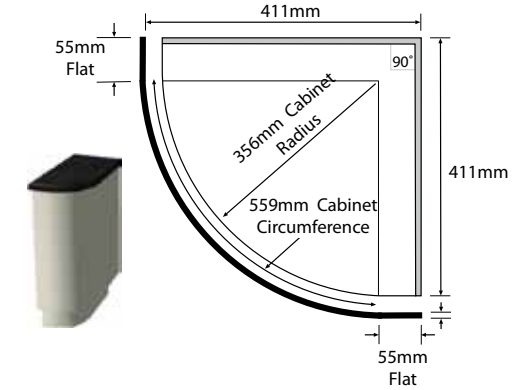
5 Convex Curved Mould
382R Maximum Height = 770mm
 Door width = 597mm



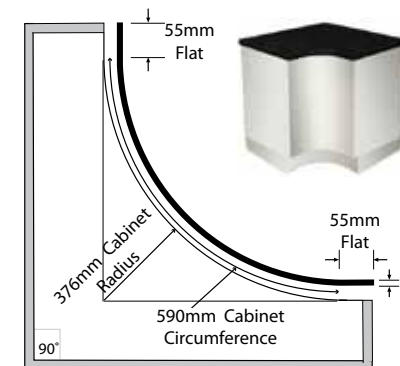
5b Concave Curved Mould
402R Maximum Height = 770mm
 Door width = 628mm



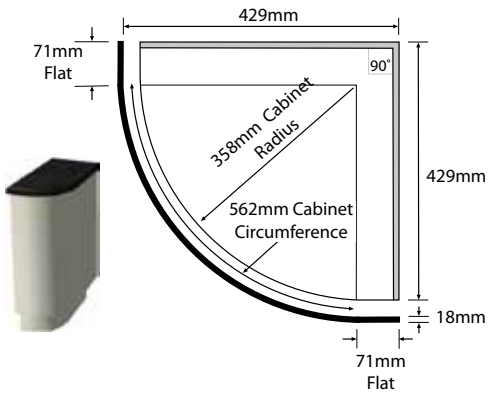
6a Convex Curved Mould
356R Maximum Height = 900mm
 Door width = 666mm



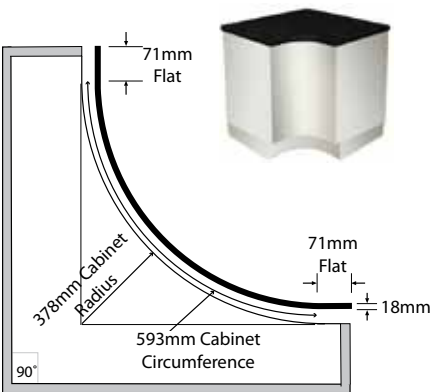
6ab Concave Curved Mould
376R Maximum Height = 900mm
 Door width = 697mm



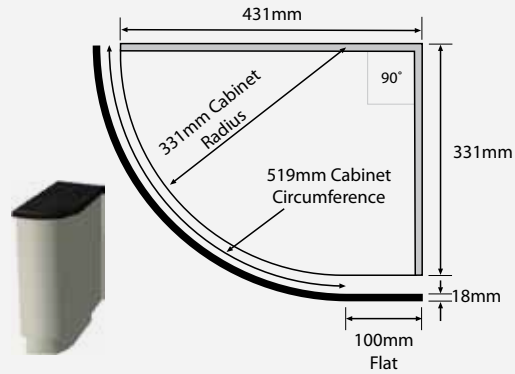
6b Convex Curved Mould
 Maximum Height = 900mm
358R Door width = 701mm



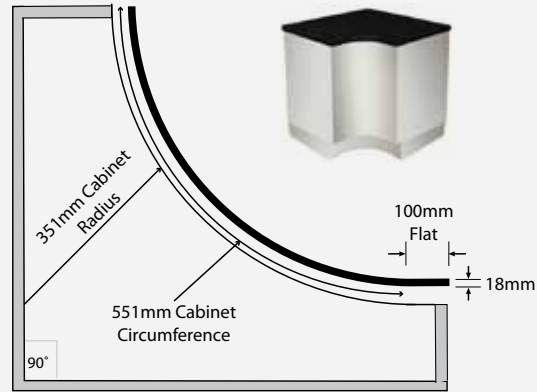
6bb Concave Curved Mould
 Maximum Height = 900mm
378R Door width = 732mm



7 Convex Curved Mould
 Maximum Height = 750mm
331R Door width = 616mm

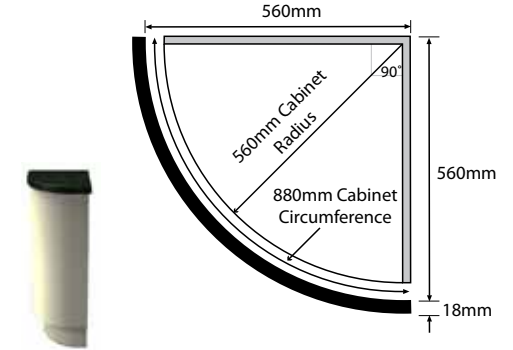


7b Concave Curved Mould
 Maximum Height = 750
351R Door width = 648mm

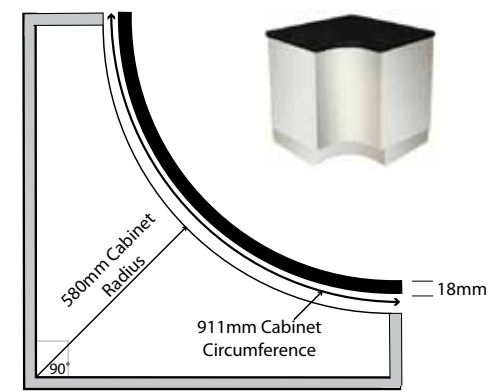


8 Convex Curved Mould
 Maximum Height = 980
560R Door width = 877mm

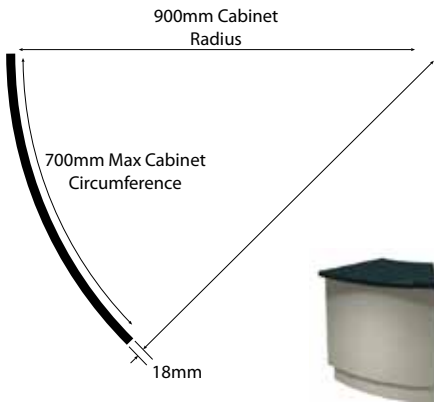
MEIRO



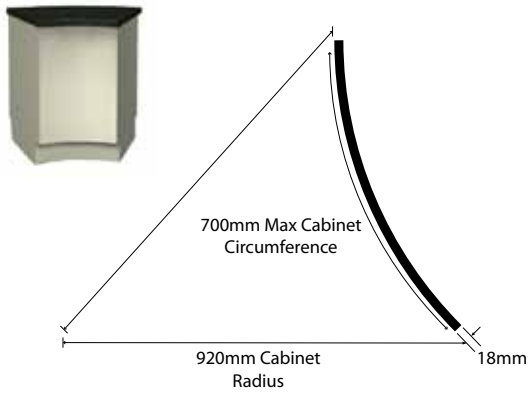
8b Concave Curved Mould
 Maximum Height = 980mm
580R Door width = 908mm



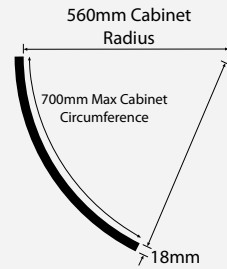
9 Convex Curved Mould
900R Maximum Height = 1000mm
 Max door width = 700mm



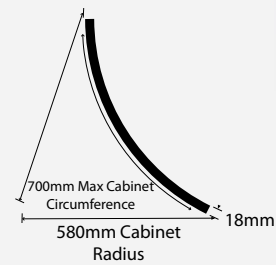
9b Concave Curved Mould
920R Maximum Height = 1000mm
 Max door width = 700mm



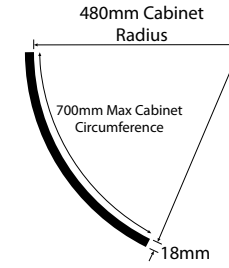
10 Convex Curved Mould
560R Maximum Height = 1100mm
 Max door width = 700mm



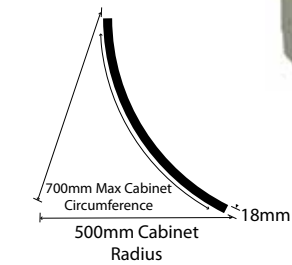
10b Concave Curved Mould
580R Maximum Height = 1100mm
 Max door width = 700mm



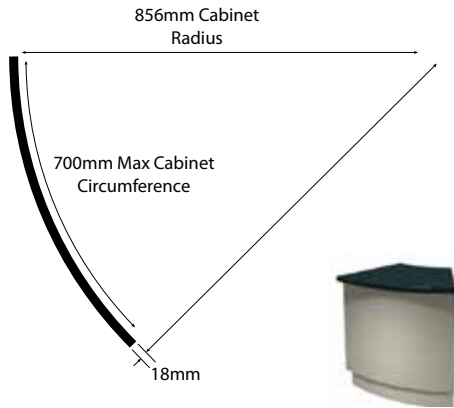
11 Convex Curved Mould
480R Maximum Height = 720mm
 Max door width = 700mm



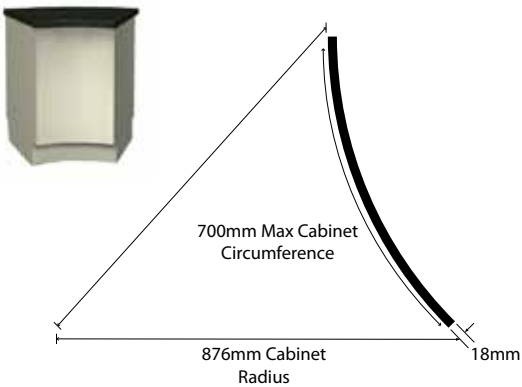
11b Concave Curved Mould
500R Maximum Height = 720mm
 Max door width = 700mm



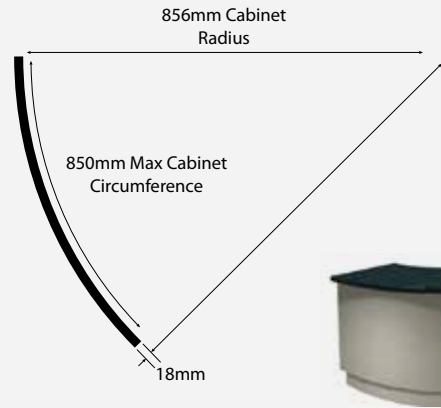
12 Convex Curved Mould
 Maximum Height = 1000mm
856R Max door width = 700mm



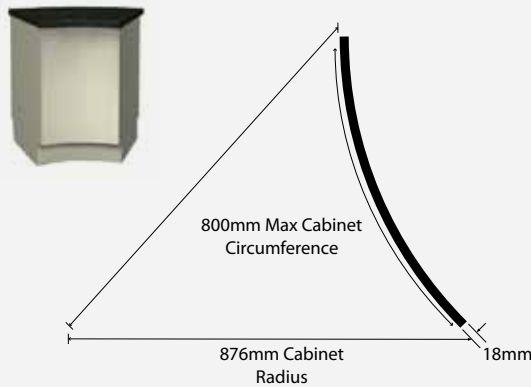
12b Concave Curved Mould
 Maximum Height = 1000mm
876R Max door width = 700mm



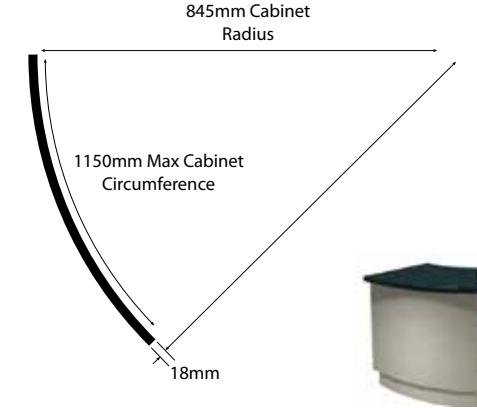
13 Convex Curved Mould
 Maximum Height = 750mm
856R Max door width = 800mm



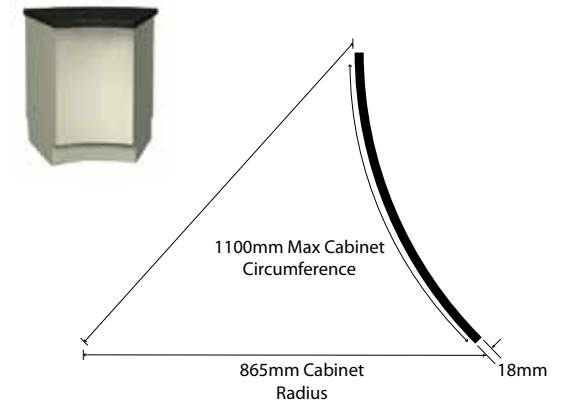
13b Concave Curved Mould
 Maximum Height = 750mm
876R Max door width = 800mm



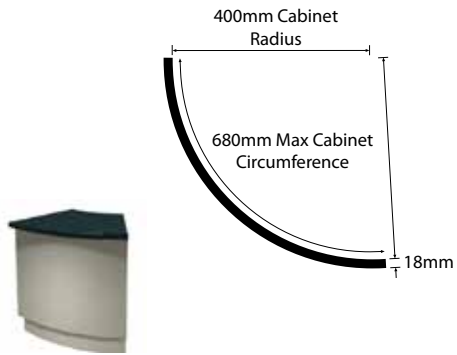
14 Convex Curved Mould
 Maximum Height = 750mm
845R Max door width = 1050mm



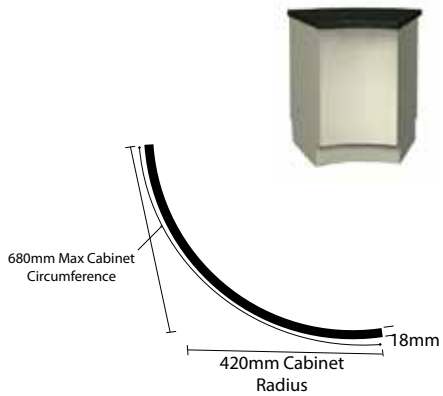
14b Concave Curved Mould
 Maximum Height = 720mm
865R Max door width = 1150mm



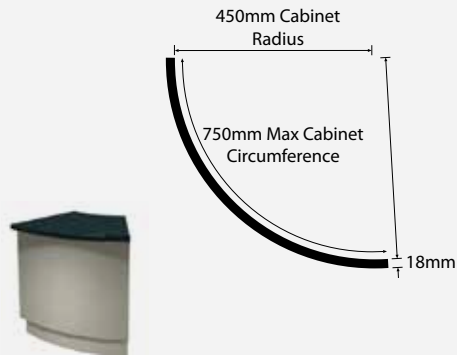
15 Convex Curved Mould
 Maximum Height = 760mm
400R Max door width = 680mm



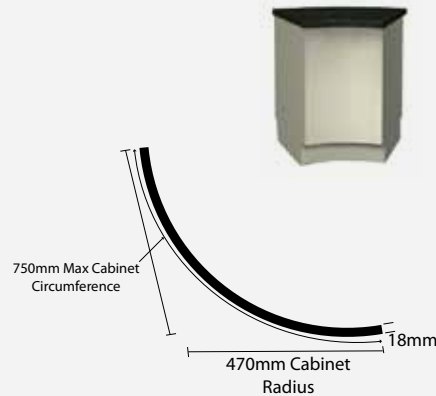
15b Concave Curved Mould
 Maximum Height = 760mm
420R Max door width = 680mm



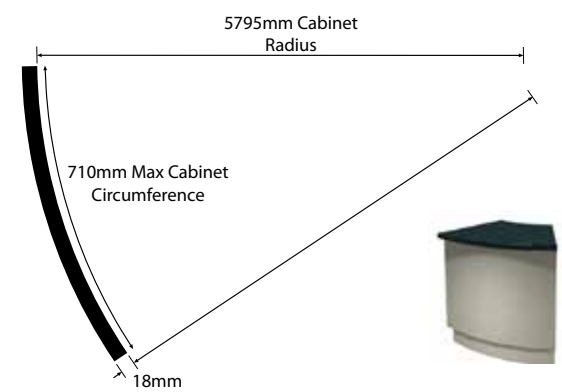
16 Convex Curved Mould
 Maximum Height = 820mm
450R Max door width = 750mm



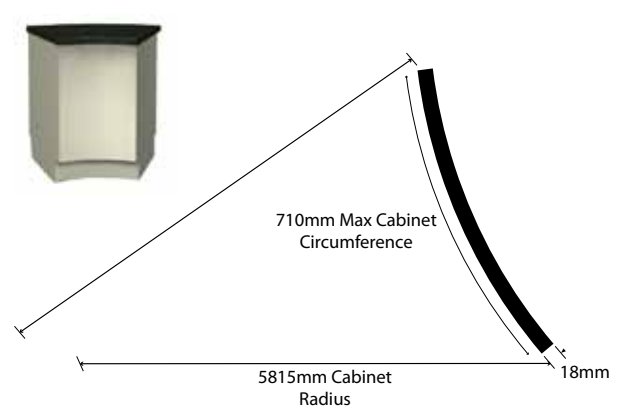
16b Concave Curved Mould
 Maximum Height = 820mm
470R Max door width = 750mm



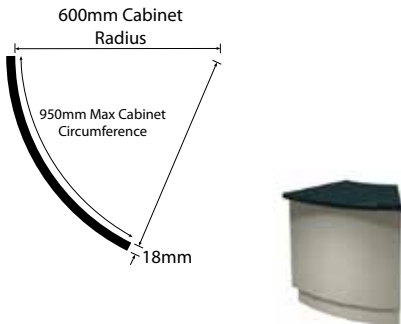
17 Convex Curved Mould
 Maximum Height = 770mm
5795R Max door width = 710mm



17b Concave Curved Mould
 Maximum Height = 770mm
5815R Max door width = 710mm



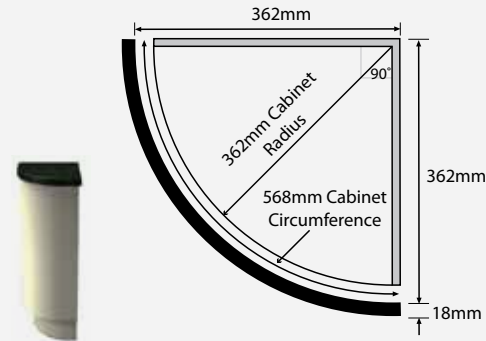
19 Convex Curved Mould
 Maximum Height = 1000mm
600R Max door width = 950mm



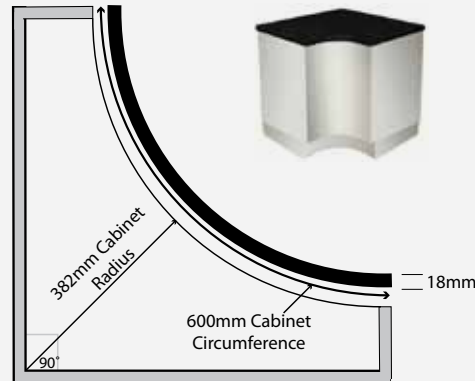
19b Concave Curved Mould
 Maximum Height = 1000mm
620R Max door width = 950mm



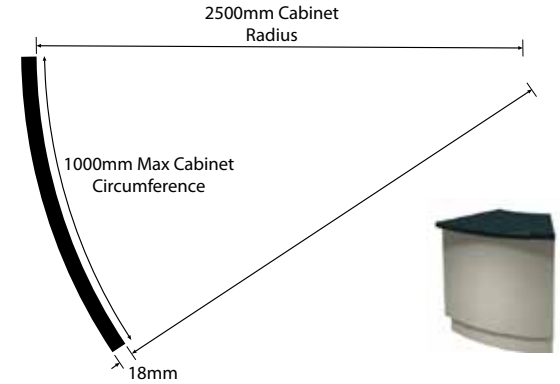
20 Convex Curved Mould
 Maximum Height = 880mm
362R Door width = 565mm



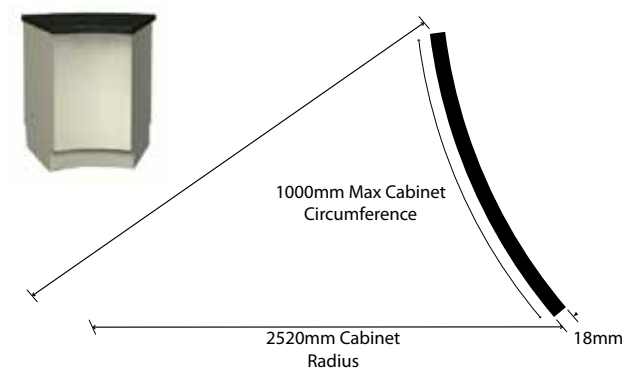
20b Concave Curved Mould
 Maximum Height = 800mm
382R Door width = 597mm



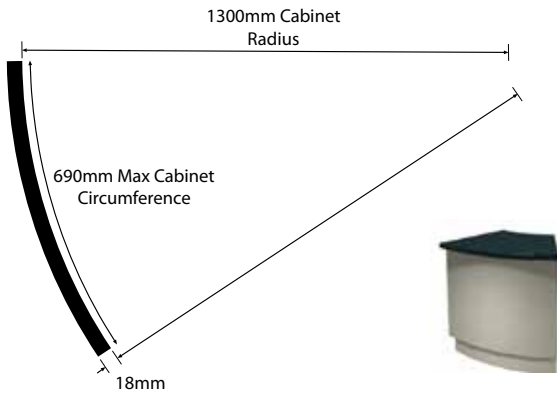
21 Convex Curved Mould
 Maximum Height = 920mm
2500R Max door width = 1000mm



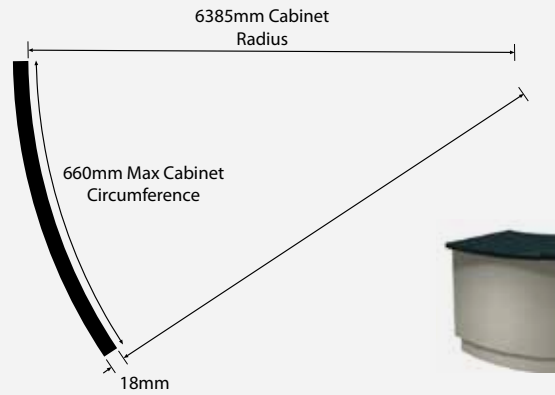
21b Concave Curved Mould
 Maximum Height = 920mm
2520R Max door width = 1000mm



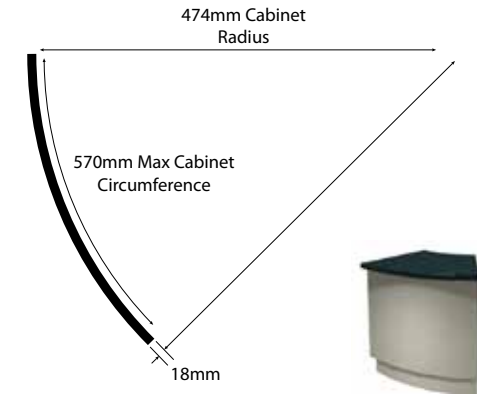
22 Convex Curved Mould
 Maximum Height = 800mm
1300R Max door width = 690mm



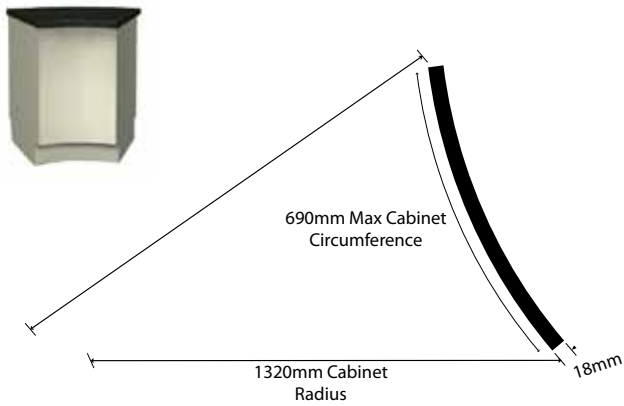
23 Convex Curved Mould
 Maximum Height = 850mm
6385R Max door width = 660mm



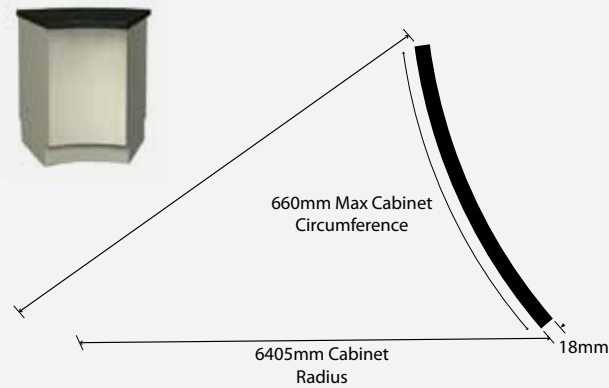
24 Convex Curved Mould
 Maximum Height = 950mm
474R Max door width = 570mm



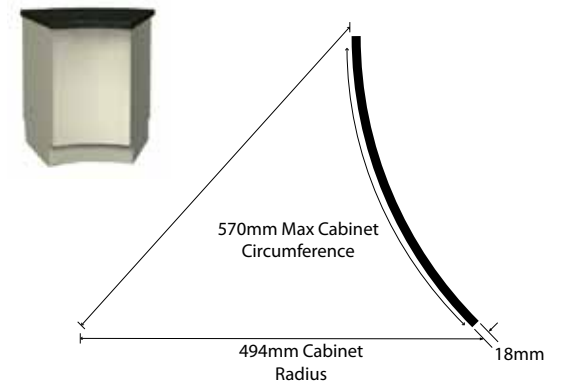
22b Concave Curved Mould
 Maximum Height = 800mm
1320R Max door width = 690mm



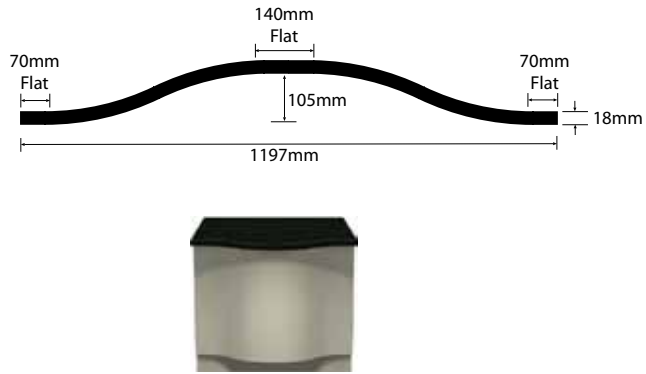
23b Concave Curved Mould
 Maximum Height = 850mm
6405R Max door width = 660mm



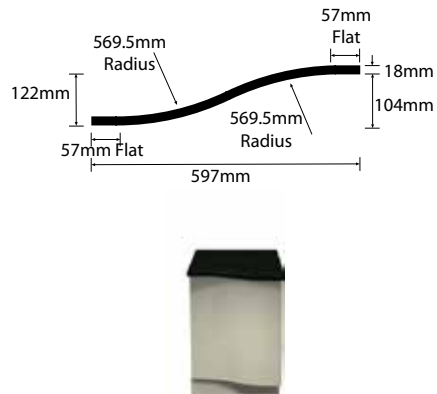
24b Concave Curved Mould
 Maximum Height = 950mm
494R Max door width = 570mm



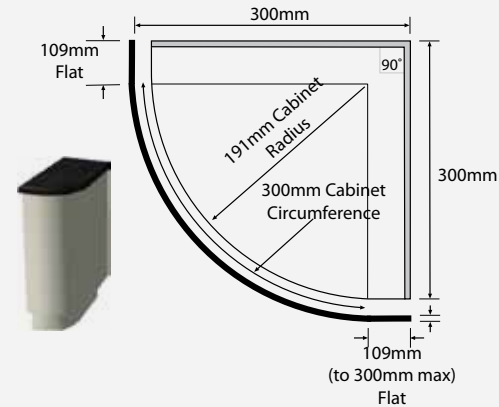
25 Convex Curved Mould
Maximum Height = 500mm



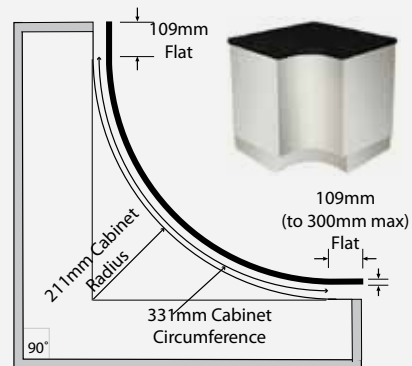
26 Convex Curved Mould
Maximum Height = 950mm



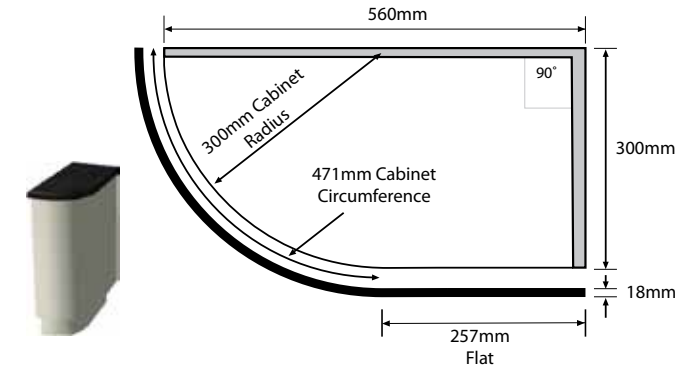
27 Convex Curved Mould
Maximum Height = 810mm
191R Door width = 515mm



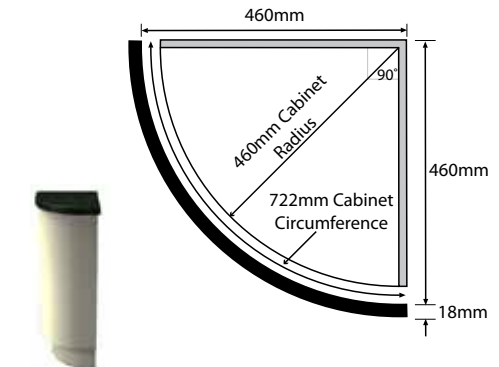
27b Concave Curved Mould
Maximum Height = 810mm
211R Door width = 546mm



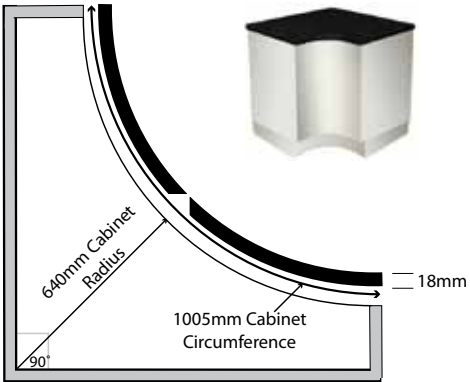
28 Convex Curved Mould
Maximum Height = 2100mm
300R Door width = 728mm



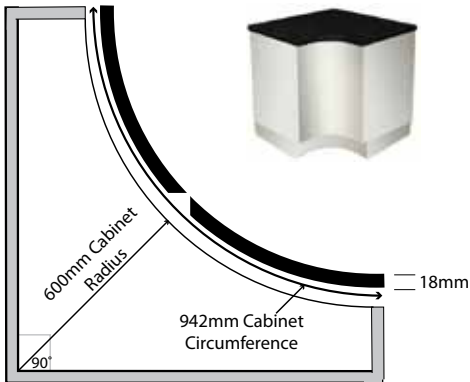
29 Convex Curved Mould
Maximum Height = 850mm
460R Door width = 719mm



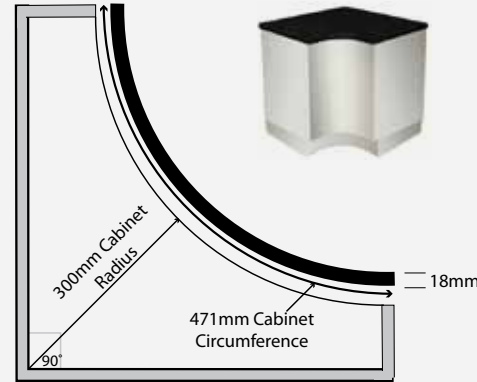
30 Concave Curved Mould
 Maximum Height = 1380mm
640R Door width = 500mm (pair of doors)



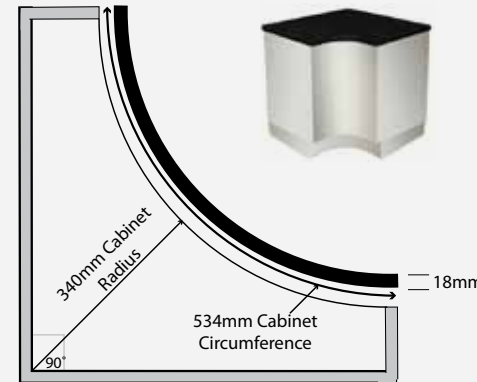
31 Concave Curved Mould
 Maximum Height = 1250mm
600R Door width = 469mm (pair of doors)



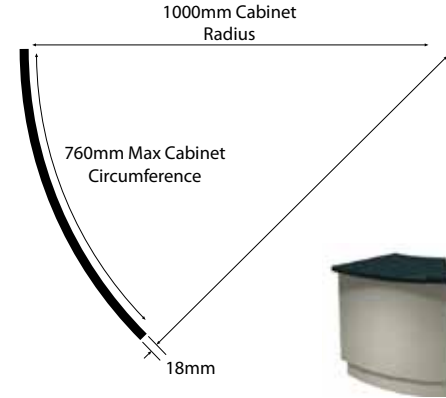
32 Concave Curved Mould
 Maximum Height = 900mm
300R Door width = 468mm



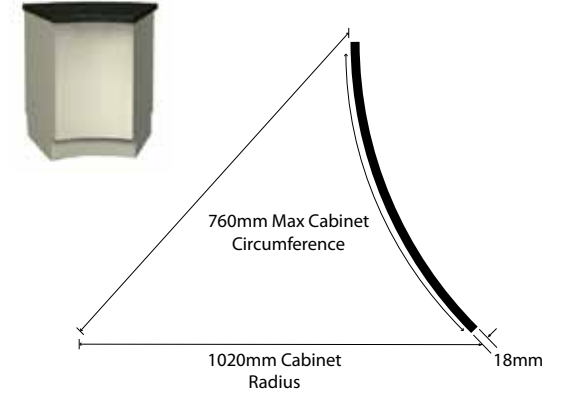
33 Concave Curved Mould
 Maximum Height = 1210mm
340R Door width = 531mm



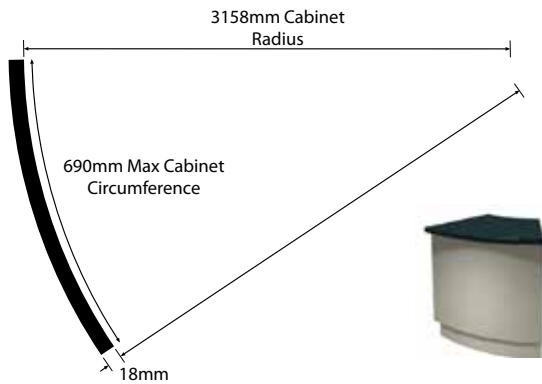
34 Convex Curved Mould
 Maximum Height = 715mm
1000R Max door width = 760mm



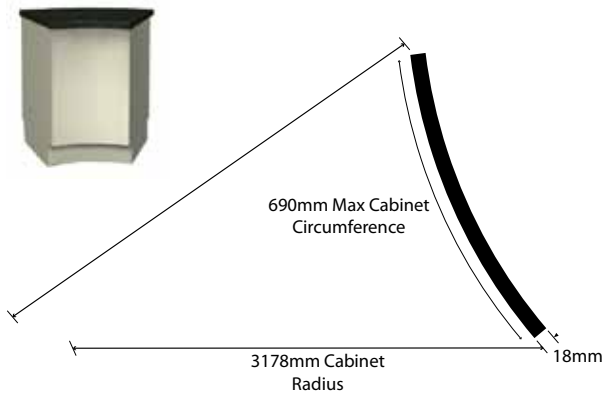
34b Concave Curved Mould
 Maximum Height = 715mm
1020R Max door width = 760mm



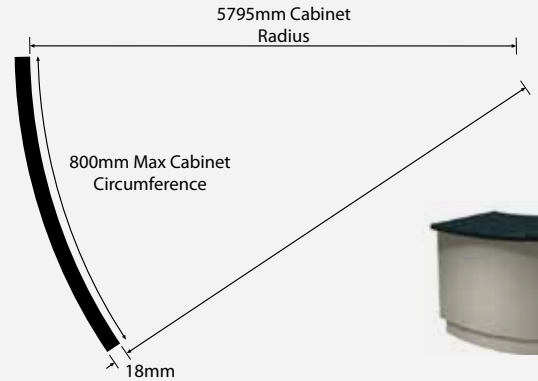
35 Convex Curved Mould
3158R Maximum Height = 700mm
 Max door width = 690mm



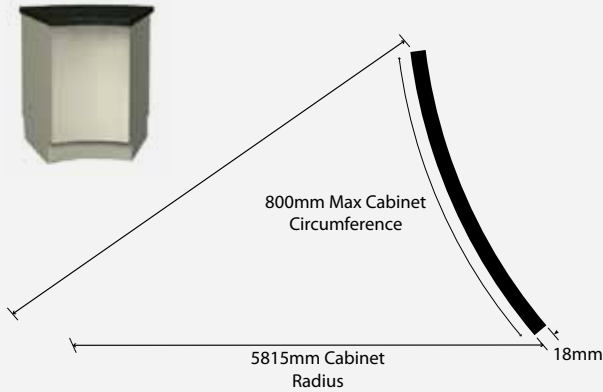
35b Concave Curved Mould
3178R Maximum Height = 700mm
 Max door width = 690mm



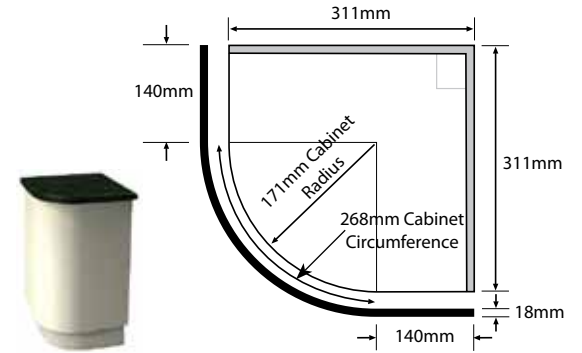
36 Convex Curved Mould
5795R Maximum Height = 840mm
 Max door width = 690mm



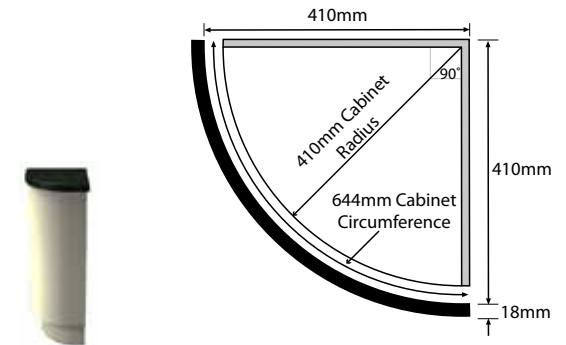
36b Concave Curved Mould
5815R Maximum Height = 840mm
 Max door width = 800mm



37 Convex Curved Mould
171R Maximum Height = 1000mm
 Door width = 545mm



38 Convex Curved Mould
410R Maximum Height = 850mm
 Door width = 641mm

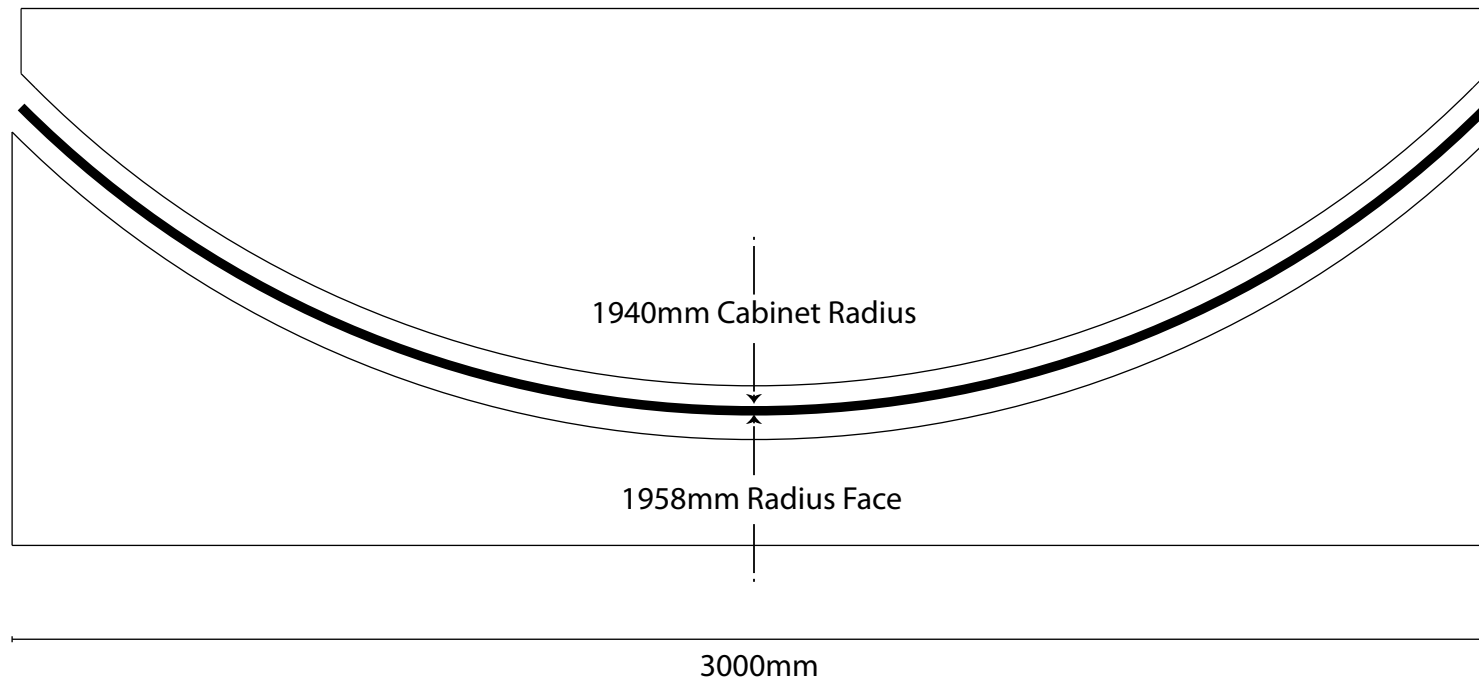


MEIRO

39
1940R

Convex Curved Mould
Maximum Height = 950mm
Back Panel

Large convex curved mould for 3000mm back panels.
Constructed from MDF, Flexiboard and available finished with 4mm Parapan®, vertical grain veneer or painted finish.



The moulds detailed below work in conjunction with the **METRO**
HANDLELESS SYSTEM

3
300R Convex Curved Mould
Maximum Height = 1000mm
Door width = 468mm

29
460R Convex Curved Mould
Maximum Height = 850mm
Door width = 719mm

38
410R Convex Curved Mould
Maximum Height = 850mm
Door width = 641mm

8
560R Convex Curved Mould
Maximum Height = 980
Door width = 877mm

30
640R Concave Curved Mould
Maximum Height = 1380mm
Door width = 500mm (pair of doors)

28
300R Convex Curved Mould
Maximum Height = 2100mm
Door width = 728mm

33
340R Concave Curved Mould
Maximum Height = 1210mm
Door width = 531mm



Landau Holdings Ltd, Landau House, Bontoft Avenue, Hull, HU5 4HF
t: 01482 440680 f: 01482 440683
www.landauparapan.co.uk